



# FIBER ROOFING

South African Manufacturer & Exporter of Thatch Products



## Contact & Postal Info:

Tel: +27 11 903 9204

Fax: +27 12 212 2341

Web: [www.fiberroofing.com](http://www.fiberroofing.com)

E-mail: [info@fiberroofing.com](mailto:info@fiberroofing.com)

P.O.Box 639, Alberton, 1450

**FACTORY ADDRESS: INDUSTRIAL SITE - R59, KLIPRIVER, 1871 ,GAUTENG, SOUTH AFRICA**

## FIBERPALM INSTALLATION INSTRUCTIONS

TILE SPECIFICATIONS	
Size (mm):	800x600x25
Tiles per square meter:	3
Weight per tile:	2.8kg
Weight per square meter:	8.4kg

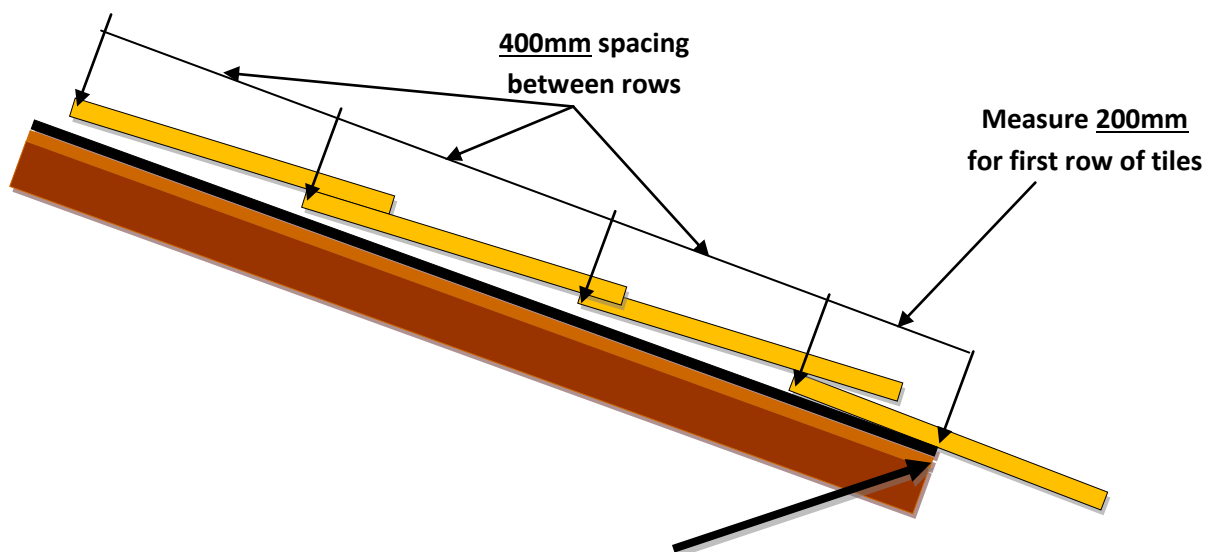


### GENERAL INFORMATION

Tile rows should be spaced 400mm apart. No special tiles needed for the hip or valley sections of the roof. The installation process is simple and can be completed with minimal training.

**Support line:** If you have any questions or just need us to walk you through the installation step by step, please don't hesitate to contact us. We're available Monday through Friday either by phone or email listed above.

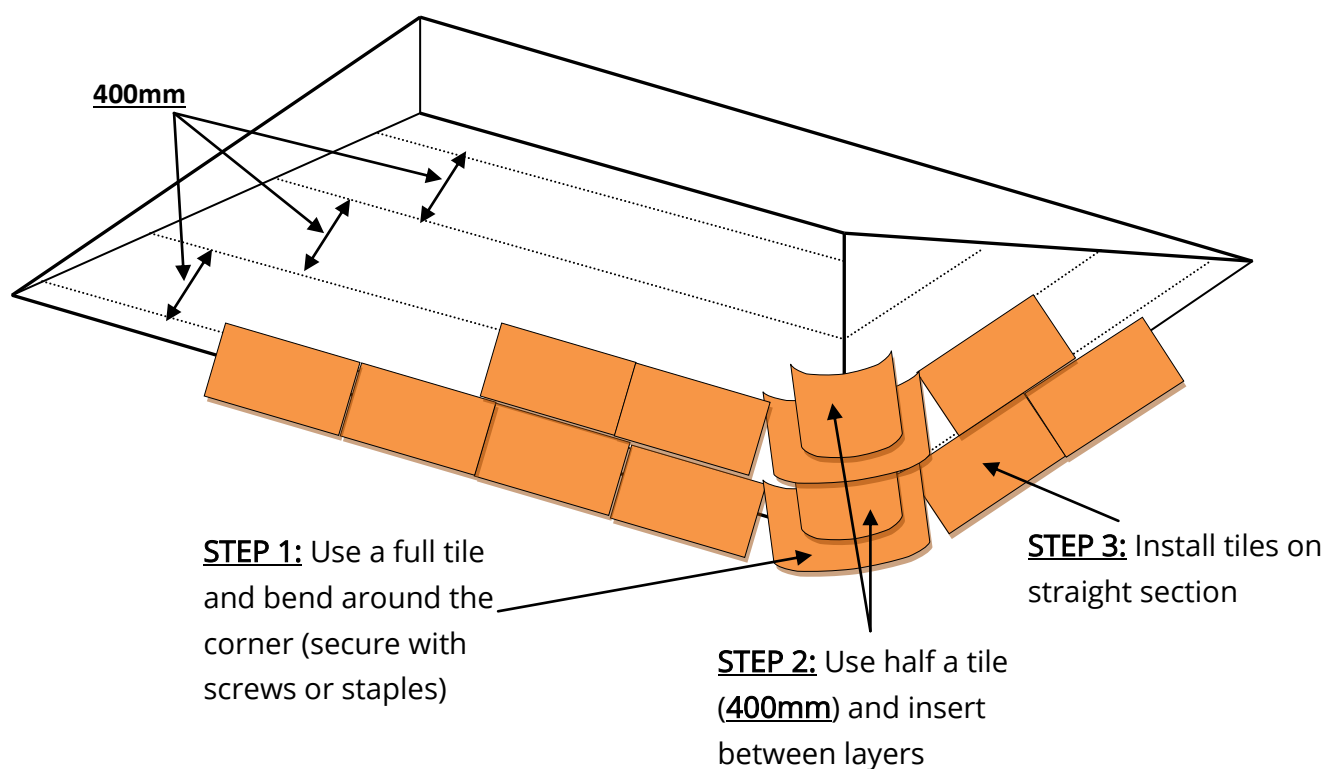
### SPACING BETWEEN LAYERS



**Roof edge:** Start first row at 200mm. This initial spacing can be **increased** or **decreased** depending on the desired overhang effect.



## INSTALLING HIP SECTION



### Quick notes:

- ✓ There is no special hip tile – bend the regular tiles around corners (any corner angle).
- ✓ As illustrated in step 2; don't forget to cut a tile in half and secure between the 400mm lines. This will make the hip thicker, for optimal aesthetic appearance.
- ✓ It is recommended to stagger the tiles. This will eliminate gaps on straight sections
- ✓ Tiles can be cut to size with a sharp knife, or sharp pruning shears.
- ✓ Use 6 galvanized or stainless screws or staples to secure tiles through the polyurethane backing strip for optimal sturdiness.



## **STEP 1**



The flexible polyurethane backing of the Fiber Bali tiles is easily bent over the hip caps to create a tight appearance.

## **STEP 2**



An **additional** Fiber Bali tile (400mm) is fitted **half way** between the guide lines on the roof to ensure that an even thickness is maintained on all hip corners.

## **STEP 3**



Fasten the screws **until the screw head is flush** with the polyurethane backing strip of the tile. Six screws / staples required per tile, spaced at 160mm.

Remember that we are just a phone call away. **We have installed more the 140.000 square meters of roofing and a consultant is just a phone call away.** We can walk you through all the steps, save you time, and help you install your roof right the first time.

